



Product Catalogue

20100527



Contents

Chassis overview	2
Contents	3
C300	4
Accessories, C300 chassis.....	5
C400	6
Accessories, C400 chassis.....	7
C500	8
Accessories, C500 chassis.....	9
C350.....	10
Accessories, C350 chassis.....	11
Street	11
Chariman HD	12
Accessories and seat, Chairman HD.....	12
Conversion articles, Chairman HD.....	13
X850	14
Accessories, X850 chassis.....	15
Pediatric chairs	16
K450 MX.....	18
Accessories, K450 chassis and seat.....	19
K300 PS Junior	20
Accessories, K300 chassis and seat.....	21
Permobil Seating Systems	22
Corpus seat.....	23
Seat and back cushions, Corpus.....	26
Conversion articles, Corpus.....	27
VS seat.....	28
Seat and back cushions, VS	30
Conversion articles, VS.....	31
TS seat	32
Conversion articles TS.....	33
PS seat.....	34
CS seat	35
Miniflex	36
Conversion articles, Miniflex.....	37
UniTrack	38
Support, UniTrack	40
Spare parts, UniTrack.....	40
Permofix.....	41
Control system Pilot+/R-net/VR2.....	43
DriveLink MultiController.....	45
DL Accessories	47
Permobil in car	48
Permolock C.....	49
Permolock C3.....	50

Permobil AB
Box 120, 861 23 Timrå, Sweden
+46-60-595900

The latest version of this catalogue can be downloaded from our website as a PDF file. Our website also contains our other products, news and other information.

www.permobil.com



C300

With the C300 you acquire a front-wheel drive Permobil with all you could desire in the way of a safe wheelchair, and that at a price which matches your wallet. A slightly smaller and more flexible chassis, perfect for indoor use, but still a strong and robust wheelchair with good outdoor performance. We are talking Scandinavian design combined with cutting end technology and a proven staying power.

The C300 comes with four different seating systems. The simpler systems provide comfortable, slightly contoured seats for clients who feel comfortable and stable with a low profile seat. For those who have high demands on the seat the Corpus seat will be the natural choice. A classic with few competitors in terms of ergonomics and adaptability. Read more about all our seating systems, at the Seating systems section.

Max. speed:	7 km/h
Range:	30-35 km
Obstacle clearance ability:	70 mm
Colors available:	red, blue, green, black metallic
Width:	620 mm
Length:	1080 mm

Seat tilt Seat lift Leg rest Back rest

Turning radius 625 mm Seat height 510-710 mm



C300 Corpus

Ergonomically approved
 Modules allow for changes to be made
 Can be fitted with all accessories and additional functions
 Rnet Electronics
 Max user weight 120kg

Turning radius 625 mm Seat height 510-710 mm



C300 PS

A smart seat that is easy to adjust
 A sliding, telescopic frame and expanding seat pan
 VR2/Rnet Electronics
 Max user weight 120kg

Turning radius 625 mm Seat height 460-660 mm
 510-710 mm



C300 TS

Built-in UniTrack
 Seamless adjustment of seat depth and arm rest height
 Functional design
 VR2 Electronics
 Max user weight 136kg

Seat tilt Seat lift Leg rest Back rest



Turning radius
625 mm



Seat height
490-690 mm



C300 CS

Basic but comfortable seat with manual adjustment of backrest angle
VR2 Electronics
Max user weight 120kg

Accessories chassis



Lights

1821059, VR2
1824875, R-net



Cover

Strong nylon
310497-99-0



Permolock C3

It allows you to drive or ride while sitting in your Permobil.

Locking device

1823300

Locking pins

Mounts underneath your wheelchair
1824229

Battery 60 Ah

101969-99-0

Solid wheel

103499-99-0

Mud and Snow tire

104871-99-0

Charger JK Medico 10A

1824895

Bag Charger

1824898



C400

The C400 chassis, which many consider the most perfect example of a combi chair, stands for choice, usability, individual adaptation and quality. This front wheel chair works in every situation. A plus, it comes with ESP (Enhanced Steering System), ESP prevents all of the unwanted driving responses and steering corrections that can be challenging and tiresome, all the while keeping drivers secure and on track.

Convenient size indoors and strong performance outdoors makes for a great power wheelchair. The fact that you can combine the C400 power base with our two advanced seating systems makes it a winning choice for many users. Naturally, it's available with our famous Corpus seat but can even be matched with the VS (Vertical System) which provides a standing function. Read more about all our seating systems, at the Seating Systems section.

Max. speed:	7,5 km/h
Range:	30-35 km
Obstacle clearance ability:	70 mm
Colors available:	red, blue, green, black metallic
Width:	620 mm
Length:	1085 mm

Seat tilt Seat lift Leg rest Back rest



Turning radius
665 mm



Seat height
520-720 mm
Lowrider
460-610 mm



C400 Corpus

Ergonomically approved
Modules allow for changes to be made
Can be fitted with all additional functions
Rnet Electronics
Max user weight 120kg



Standing



Turning radius
665 mm



Seat height
530-780 mm



C400 VS

The standing function is both useful and practical
Can be raised from various positions with one button
Favorite positions are saved to make life easier
Rnet Electronics
Max user weight 120kg
Also available in junior size, max user weight 70 kg

Accessories chassis



Luggage basket
310185-28-0



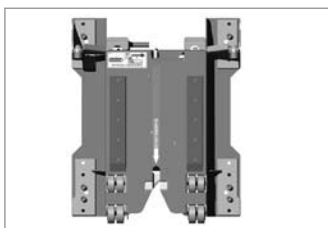
Cover
Strong nylon
310497-99-0



Lights
1821059, Pilot+
1824892, Rnet



Support wheel set
313653-28-0



Permolock C
313072-28-0
It allows you to drive or ride while sitting in your Permobil.
Permolock Plunge
Mounts underneath your wheelchair
313344-99-0



Transport brackets
1820515

Battery 73 Ah
101989-99-0

Charger JK Medico 10A
1824895

Bag Charger
1824898

Running time meter set
1825356

Seat stabilizer
309310-40-0

Solid wheel
103889-99-0



C500

A high-class chair resulting from over 40 years' experience, acquired wisdom and innovations. A technically advanced chassis created down to the last detail for tackling all the most difficult challenges. A plus, it comes with ESP (Enhanced Steering System), ESP prevents all of the unwanted driving responses and steering corrections that can be challenging and tiresome, all the while keeping drivers secure and on track.

Choose from a range of seating systems from the superior comfort of the famous Corpus to the advanced VS (with standing function). With a VS seat you can even Stand & Drive your C500. Read more about our seating systems below

Max. speed:	7,5 km/h, Smodell 10km/h
Range:	30-40 km
Obstacle clearance ability:	70 mm
Colors available:	red, blue, green, black metallic
Width:	675 mm
Length:	1150 mm

Seat tilt	Seat lift	Leg rest	Back rest
	Turning radius 715 mm		Seat height 520-720 mm Lowrider 460-610 mm



C500 Corpus

Ergonomically approved
 Modules allow for changes to be made
 Can be fitted with all additional functions
 Rnet Electronics
 Lower seat height, Lowrider model
 Faster model (C500S)
 Max user weight 120kg

	Turning radius 715 mm		Seat height 530-730 mm	Standing



C500 VS

The standing function is both useful and practical
 Can be raised from various positions with one button
 Favorite positions are saved to make life easier
 Rnet Electronics
 Faster model (C500S)
 Max user weight 120kg
 Available in a junior size, max user weight 70kg

Accessories chassis



Luggage basket
310185-28-0



Lights
1821059, Pilot+
1824892, Rnet



Cover
Strong nylon
310497-99-0

Battery 73 Ah
101989-99-0

Charger JK Medico 10A
1824895

Bag Charger
1824898

Running time meter set
1825356

Seat stabilizer
309310-40-0

Mud and Snow tire
104871-99-0

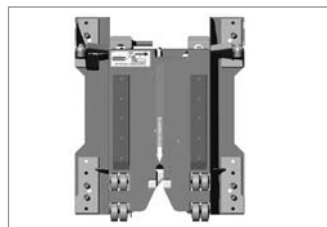
Solid wheel
103499-99-0



Support wheel set
313653-28-0



Transport brackets
1820515



Permolock C
313072-28-0
Transport locking system for your Permobil. You can even stay safely seated in your wheelchair while you drive your car.

Permolock Plunge
Mounts underneath your wheelchair
313344-99-0



C350

This is the perfect combination of cheeky design and rugged strength. A quick and powerful rear-wheel drive wheelchair with great driving performance at higher speeds outdoors. With R-net electronics you get a top speed of 10 km/h.

Among the choice of seating systems for your C350 you will find the TS, with it's smart new design, allowing you to create individual seating comfort easily. This is a seat resulting from a new way of thinking, with simple adjustment solutions that work best for those who don't need special functions but demand high functionality. Read more about all our seating systems, at the Seating Systems section.

Max. speed:	8/10 km/h
Range:	30-35 km
Obstacle clearance ability:	70 mm
Colors available:	red, blue, yellow, black, silver metallic
Width / Length:	625 mm / 1065 mm

Seat tilt Seat lift Leg rest Back rest



C350 Corpus

Ergonomically approved
 Modules allow for changes to be made
 Can be fitted with all accessories and additional functions
 Rnet Electronics
 Max user weight 136kg



C350 PS

A smart seat that is easy to adjust
 A sliding, telescopic frame and expanding seat pan
 VR2/Rnet Electronics
 Max user weight 136kg



C350 TS

Built-in UniTrack
 Seamless adjustment of seat depth and arm rest height
 Functional design
 VR2 Electronics
 Max user weight 136kg

Accessories chassis



Lights

1822965 Rnet
1822964 VR2



Permlock C3

It allows you to drive or ride while sitting in your Permobil.

Locking device

1823300

Locking pins

Mounts underneath your wheelchair
1824229



Cover

Strong nylon
310497-99-0

Battery 60 Ah

101969-99-0

Charger JK Medico 10A

1824895

Bag Charger

1824898

Solid wheel

103499-99-0

Street Corpus

With its rear-wheel drive, our fastest motors and a rugged modern design, Street issues a challenge which is ready and equipped for life in the city. Street Corpus has been fitted with a new type of column lift, which raises the seat a full 250 mm. The ergonomics of the Corpus seat guarantee a comfortable and restful life and can be fitted with all supplementary functions including the Uni-Track accessories system.

Max. speed:	12 km/h
Range:	25-35 km
Obstacle clearance ability:	70 mm
Colors available:	brown metallic, blue metallic, silver/black
Width:	630 mm
Length:	1180 mm

Seat tilt Seat lift Leg rest Back rest



Turning radius
900 mm



Seat height
560-810 mm



Street Corpus

Ergonomically approved
Can be fitted with all additional functions
Modules allow for changes to be made
Rnet Electronics
Max user weight 120kg

Accessories chassis



Lights
1824893



Cover
Strong nylon
310497-99-0

Battery 73 Ah

101989-99-0

Charger JK Medico 10A

1824895

Bag Charger

1824898



Chairman HD

The Chairman HD is a robust, reinforced chair for heavy-duty applications. What is striking about this wheelchair is that it is hardly any larger than other units. The chassis is wider and stronger, the backrest and armrests have been adapted to cope with heavier loads and the seating system is deeper, wider and higher. Twin casters provide improved stability and bearing pressure distribution.

Max. speed: 6,5 km/h
 Range: 30-35 km
 Obstacle clearance ability: 60 mm
 Colors available: black
 Width: 700 mm
 Length: 1120 mm

Seat tilt Seat lift Leg rest Back rest



Turning radius
750 mm



Seat height
550-750 mm



Chairman HD Corpus

Ergonomically approved
 Larger than a standard Corpus
 Reinforced in the frame, back and arm rest
 Can be fitted with all additional functions
 Pilot+ electronics
 Max user weight 200kg

Accessories chassis and seat



Belt with quick-release lock HD
305506-40-0



Table, angle adjustable
1824364 (500 x 332 mm)



Belt, self-adjusting, long
310189-99-0



Inflatable support for the curve of the back
600915-99-0



Calf rest, incl. bracket
309245-40-80-0 Fabric
309245-40-90-0 Imitation leather



Head rest, adjustable
1824256 Fabric
1824257 Imitation leather



Thigh support, complete, short
100510-99-0 Fabric



Thigh support, complete, long
100512-99-0 Fabric
100513-99-0 Imitation leather



Mug/Phone holder
1821842



Arm rest bag
Mounts on armrest or front seat frame
302019-00-0



Parallel movement panel holder
306810-99-0 Right
1821782 Left



Co-Pilot 1823183
Attendant control that is truly simple to manoeuvre. Just take hold of the handle and start to walk - the chair will move at the same pace as you, in whatever direction you choose. Walk faster and the co-pilot will automatically adjust to your speed.



Cover
Strong nylon
310497-99-0



Foot strap with padding
1822805
Foot strap
1822838

Battery 73 Ah
101989-99-0

Charger JK Medico 10A
1824895

Bag Charger
1824898

Operation indicators kit
1825356

Rocker set, Pilot+
306733-00-0

BACK CUSHIONS

Check	Skai	Width x height
09213-99-80-0	309213-99-90-0	460x670
309214-99-80-0	309214-99-90-0	510x670

SEAT CUSHIONS

Check	Skai	Width x depth
310050-99-80-0	310050-99-90-0	500x450
310051-99-80-0	310051-99-90-0	500x500
310052-99-80-0	310052-99-90-0	500x550
310053-99-80-0	310053-99-90-0	500x600
310054-99-80-0	310054-99-90-0	500x650
310055-99-80-0	310055-99-90-0	550x450
310056-99-80-0	310056-99-90-0	550x500
310057-99-80-0	310057-99-90-0	550x550
310058-99-80-0	310058-99-90-0	550x600
310059-99-80-0	310059-99-90-0	600x450
310060-99-80-0	310060-99-90-0	600x500
310061-99-80-0	310061-99-90-0	600x550
310062-99-80-0	310062-99-90-0	600x600

Conversion articles Chairman HD

Seat reduction
309138-28-0

Seat extension for 585 depth
309253-28-0

Seat extension for 635 depth
309254-28-0 Seat extension for +100

Seat widening for 535 depth
309150-28-0

Seat widening for 585 Depth
309238-28-0

Seat widening for 635 Depth
309239-28-0

Back widening set
309223-40-0

Trunk support HD narrow back
309217-00-0

Support for the curve of the back
306396-99-0

Thigh rest bracket/ Table bracket
301612-28-0

Arm Rest Neutral, Fabric
1822784, 350 mm
1822785, 400 mm

Arm Rest Neutral, Imitation leather
1822788, 350 mm
1822789, 400 mm



X850

In an X850 you're snugly enthroned in a robust cross-country vehicle. An X850 doesn't look like a wheelchair, so you shouldn't really expect it to behave like an ordinary wheelchair either. From the top to the tyres, X850 is a truly robust, hardy chair that was developed for the outdoor environment and demanding country.

The X850 has a seat for everybody, from the simplest of needs to the highest demands. Naturally, we have made it easy for children to. With the Miniflex children's seat, the X850 is the perfect outdoor choice for active kids. Read more about all our seating systems, at the Seating Systems section.

Max. speed:	15 km/h
Range:	35-45 km
Obstacle clearance ability:	110 mm
Colors available:	red, blue, black metallic
Width:	720 mm
Length:	1260 mm

Seat lift Back rest Seat rotation Adjustable wheelbase Seat tilt



Seat tilt



Turning radius
1680 mm



Seat height
550-750 mm



X850 CS

Basic but comfortable seat with manual adjustment of backrest angle
Powered or manual seat rotation for easier transfers (option)
Safegate Electronics
Max user weight 136kg



Turning radius
1680 mm



Seat height
560-760 mm



X850 Corpus

Ergonomically approved
Modules allow for changes to be made
Can be fitted with a number of additional functions
Safegate Electronics
Max user weight 136kg



Turning radius
1680 mm



Seat height
530-730 mm



X850 Miniflex

A child seat for children up to 35 kg
Easy to use so that the child feels safe
Safegate Electronics

Accessories chassis

You can choose extra power functions like electric wheelbase extension (for extra stability at higher speeds) and electric seat rotation to facilitate easier transfer to and from your X850. There is also a range of luggage carrying solutions to choose from, in case you have a longer trip in mind!



Luggage basket
1824635



Luggage box
1823177



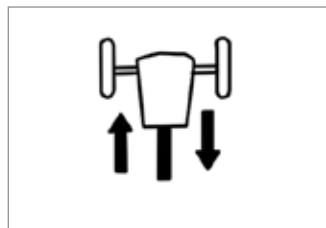
Crutch holder
308601-40-0



Footplate X850
309382-28-0



Cover
301833-99-0 X850 With frame
310496-99-0 X850 Without frame



Length adjustment, electric
1821444



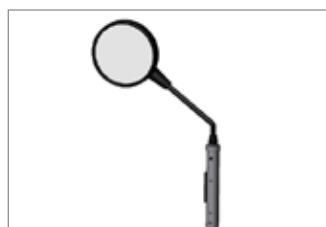
Electric seat rotation
1821476
Manual seat rotation
1821470



Frame
Mounted behind seat
1825043 Miniflex
1821430 CS



Transport brackets X850
1825145
Locking device
Mounts underneath your wheelchair
1825146



Mirror, incl. bracket
1821432 Right
1821432 Left

Holder Attendant Control
104697-99-0, large panel
104825-99-0, small panel
104698-99-0, cable set
Battery 97 Ah
101999-99-0

Charger JK Medico 10A
1824895
Bag Charger
1824898
Running time meter set
1825356

Tire, fine tread
103016-99-0
Tire, coarse tread
103017-99-0



Permobil chassis for children





K450

The K450 is the best child's chair we have ever made. It also offers exciting new possibilities for smaller adults. Innovation and new thinking have added up to K450's excellent driving qualities and intuitive user-friendliness. With the R-net electronic system and ICS (intelligent Control System), all of its functions are programmable and linked to simple press-button controls. The unique seat can take you from an up-right position at 650mm down to the floor level in a few seconds. With rear-wheel drive and a full (all-wheel) suspension system, it is simply fun to drive. The K450 is for users weighing up to 60kg, and the seat can be adjusted from 250-400mm, perfect for growing children.

Max. speed:	8,5 km/h
Range:	20-30 km
Obstacle clearance ability:	60 mm
Colors available:	red, pink, light blue, black, silver, yellow metallic
Width / Length:	640 mm / 1240 mm

- Seat tilt 
- Seat lift 
- Leg rest 
- Turning radius 1060 mm 
- Seat height 120-650 mm 



K450 MX

The K450 MX is for users weighing up to 60 kg, with a flexible seat width that can be adjusted from 250-400 mm. Perfect for growing children.

Rnet Electronics

Accessories chassis and seat

The Compact Advanced Joystick is just what it says - compact dimensions for smaller hands.



Cover
Strong nylon
310497-99-0



Lights
1824309



Permlock C3
It allows you to drive or ride while sitting in your Permobil.
Locking device
1823300
Locking pins
Mounts underneath your wheelchair
1824229



Transport brackets
104705-99-0



Joystick Compact Advanced
Compact dimensions for smaller hands.
1822772



Footstrap
1822838
Footstrap with padding
1822805



Co-Pilot 1824134
Attendant control that is truly simple to manoeuvre. Just take hold of the handle and start to walk - the chair will move at the same pace as you, in whatever direction you choose. Walk faster and the co-pilot will automatically adjust to your speed.



Table adjustable angle
308064-40-0



Headrest, 3 models
104572-99-0, Imitation leather
104573-99-0, Fabric
306314-40-90-0, Imitation leather, small
Lateral headrest adjustment
1824969, 250 mm
1824970, 300-350 mm



Belt buckle, manual adjustment
305506-40-0



Thigh support
1822687, C large
1822683, B small



Belt, self-adjusting
305003-99-0



Trunk support
104574-99-0, F medium
104575-99-0, B small



Hip belt padded
Medium width 38mm
length 1520mm
1824798

Battery 60 Ah
101969-99-0

Charger JK Medico 10A
1824895

Bag Charger
1824898



K300

K300 PS Jr has been created for the growing generation. For the sake of power and lack of limitations, it takes its chassis from an adult chair. But all else has been created for children and young people. The seat plate has total flexibility and expands with its owner. Arm and foot rests are easy to swing aside in several directions. The chair is fitted with the latest electronic system and is compatible with the new Uni-Track accessories system. Choose from the new vivid colors on chassis and wheel rims. K300 PS Jr holds a growing future. And just see how it grows.

Max. speed:	7 km/h
Range:	30-35 km
Obstacle clearance ability:	70 mm
Colors available:	red, pink, light blue, black, silver, green, blue metallic
Width / Length:	620 mm / 1080 mm

Seat tilt Seat lift



Turning radius
625 mm



Seat height
420-620 mm



K300 PS Junior

A pediatric seat for children up to 76 kg.
Adjustable seat pan fits kids of all sizes
Rnet Electronics
Also available with manual tilt

Accessories chassis and seat

The Compact Advanced Joystick is just what it says - compact dimensions for smaller hands.



Lights
1824875



Permolock C3
It allows you to drive or ride while sitting in your Permobil.
Locking device
1823300
Locking pins Mounts underneath your wheelchair
1824229



Cover
Strong nylon
310497-99-0



Joystick Compact Advance
Compact dimensions for smaller hands.
1822772



Push handle
1824823



Back box incl. bag hook set
1820415



Headrest
1823081



Bag hook set
310299-40-0

Adapter head rest slingback
1823727



Table adjustable angle
308064-40-0



Calf support
1822665 110x90mm
1822667 165x120mm

Bracket
307152-40-0



Belt buckle, manual adjustment
305506-40-0



Trunk support
1822678



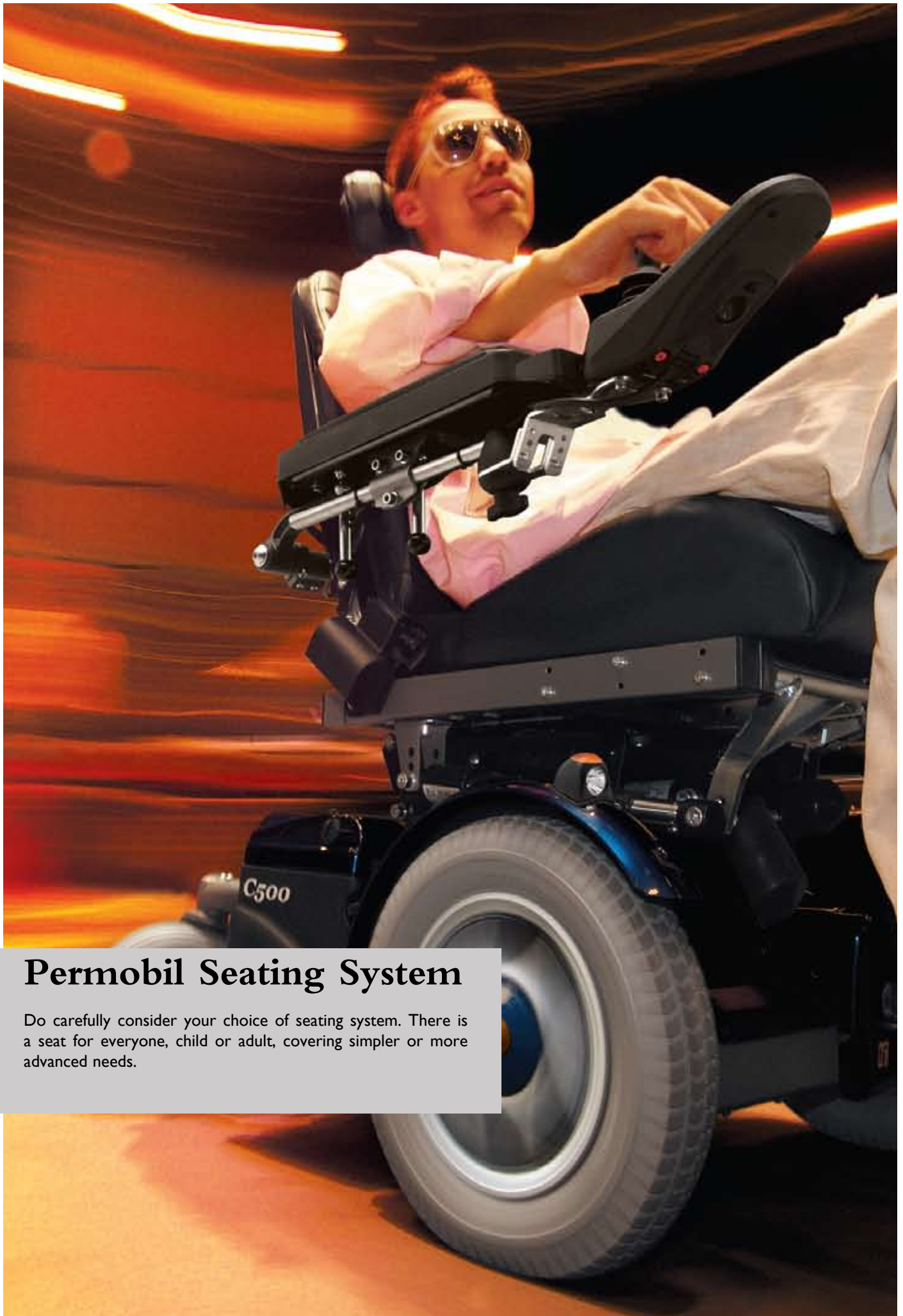
Hip belt padded
Medium width 38mm
length 1520mm
1824798



Belt, self-adjusting
only together with back rest
410mm
305003-99-0

Battery 60 Ah
101969-99-0
Charger JK Medico 10A
1824895

Bag Charger
1824898
Quick lock, backrest adjustm.
104616-99-0



Permobil Seating System

Do carefully consider your choice of seating system. There is a seat for everyone, child or adult, covering simpler or more advanced needs.

Corpus®

The Corpus seating system's modular design enhances functionality through changes in sizing and power functions. It was designed by one of the leading ergonomic experts in the world to match the natural contours of the human body. The customization of the Corpus seating system is limitless; depth, width, height, and angle of multiple seat components can be adjusted or customized.



Width:	430/480
Depth:	(360jr) 410 - 560
Back rest height:	535/605
Armrest height:	adjustable
Electrical functions:	Leg rest, Back rest, Seat tilt, Seat lift



Table, angle adjustable
1824364 (500 x 332 mm)



Table, adjustable angle
308064-40-0 (350 x 350 mm)
308065-40-0 (400 x 350 mm)
308066-40-0 (450 x 400 mm)



Small table, incl. bracket
307802-40-0 (250 x 250 mm)



Table, swiveling with side cutout
307749-40-0 (600 x 450 mm)
307750-40-0 (650 x 500 mm)

With R-net electronics
1823063 (600 x 450 mm)
1823062 (650 x 500 mm)



Table, swiveling with central cutout
307747-40-0 (600 x 450 mm)
307748-40-0 (650 x 500 mm)

With R-net Electronics
1824753 (600 x 450 mm)
1824752 (650 x 500 mm)



Hip belt padded
1824798 M 38mm x 1520mm
1824799 L 50mm x 1650mm
Non padded
1824796 M
1824797 L



Belt, self-adjusting
305003-99-0



Belt, self-adjusting, long
310189-99-0



Four-point belt
305982-99-0



Belt with quick-release lock
305506-40-0

Corpus



Arm rest bag
302019-00-0



Headrest adjustable
1823081



Back box incl. bag hook set
1820415



Headrest adjustable
1824256 Fabric
1824257 Imitation leather



Bag hook set
310299-40-0



Side support
303666-00-90-0



Crutch holder
1825068



Oxygen holder
1822622



Co-Pilot 1824130
Attendant control that is truly simple to manoeuvre. Just take hold of the handle and start to walk - the chair will move at the same pace as you, in whatever direction you choose. Walk faster and the co-pilot will automatically adjust to your speed.



Incontinence protection
1824588 (480 width, 510 and 560 depth)
1824589 (430 width, 460, 510 and 560 depth)
Incontinence protection
1824590 (430 width, 360 and 410 depth)
1824591 (480 width, 460 depth)



Mug/Phone holder
1821842



Foot strap with padding
1822805
Foot strap
1822838



Inflatable lumbar support
600915-99-0



Parallel movement panel holder R-net
1824295



Leg divider
309322-40-90-0



Mirror, incl. bracket
303729-99-0

Support handle armrest
1822790
Support handle set
1822624
Push handle set
306350-40-0

Arm rest raising set
306025-99-0
Arm rest reinforcement set
1822567



Support to Corpus, UniTrack Accessoriessystem page 38.



Seat flat Comfort

BACK CUSHIONS CORPUS

Check	Mesh	Imitation leather	Width x height (seat)	Width x height (cushion)
307506-99-80-0	307506-99-60-0	307506-99-90-0	340x535	370x530
307507-99-80-0	307507-99-60-0	307507-99-90-0	390x535	420x530
307508-99-80-0	307508-99-60-0	307508-99-90-0	440x535	470x530
306475-99-80-0	306475-99-60-0	306475-99-90-0	340x605	370x600
306430-99-80-0	306430-99-60-0	306430-99-90-0	390x605	420x600
306473-99-80-0	306473-99-60-0	306473-99-90-0	440x605	470x600

SEAT CUSHIONS CORPUS

Check	Mesh	Imitation leather	Width x depth (seat)	Width x depth (cushion)
311156-99-80-0	311156-99-60-0	311156-99-90-0	430x360	420x370
306735-99-80-0	306735-99-60-0	306735-99-90-0	430x410	450x420
306431-99-80-0	306431-99-60-0	306431-99-90-0	430x460	450x500
311398-99-80-0	311398-99-60-0	311398-99-90-0	430x510	450x530
306471-99-80-0	306471-99-60-0	306471-99-90-0	430x560	450x560
306470-99-80-0	306470-99-60-0	306470-99-90-0	480x460	500x500
311401-99-80-0	311401-99-60-0	311401-99-90-0	480x510	500x530
306472-99-80-0	306472-99-60-0	306472-99-90-0	480x560	500x560

COMFORT CUSHIONS CORPUS

Check	Mesh	Width x depth (seat)	Width x depth (cushion)
311494-99-80-0	311494-99-60-0	430x410	450x420
310096-99-80-0	310096-99-60-0	430x460	450x500
311393-99-80-0	311393-99-60-0	430x510	450x530
311152-99-80-0	311152-99-60-0	430x560	450x560
311153-99-80-0	311153-99-60-0	480x460	500x500
311394-99-80-0	311394-99-60-0	480x510	500x530
311154-99-80-0	311154-99-60-0	480x560	500x560

Seat flat Comfort

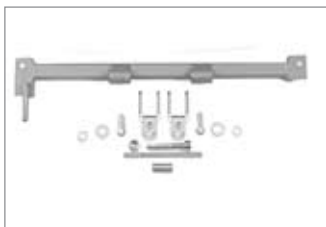
309008-40-0



Footplate large
305592-28-0



Divided footplate
width 200mm
1821244 Right
1821243 Left



Seat reduction for seat size D360 W430 without cushion
306740-28-UD-0 Reduction -100
Seat reductions for size D410 W430 without cushion
305265-28-0 Reduction -50



Seat extension for 510 mm
305255-28-0 Extension +50
Seat extension for 560 mm
305260-28-UD-0 Without cushion



Back set, slide
305200-00-UD-0 390 mm wide
305252-00-UD-0 440 mm wide



Shaft, PLG arm rest bracket
302722-99-0 For 340 and 390 mm back width
304968-99-0 For 440 mm back width



Lumber support
306396-99-0



Back set 535 mm low
310027-00-0 340 mm wide
310030-00-0 390 mm wide
310033-00-0 440 mm wide
Back set 605 mm STD
305480-00-UD-0 340 mm wide
305300-00-UD-0 390 mm wide
305490-00-UD-0 440 mm wide

Arm Rest Neutral, Imitation leather
1822786, 250 mm
1822787, 300 mm
1822788, 350 mm
1822789, 400 mm

Arm Rest Neutral, Fabric
1822782, 250 mm
1822783, 300 mm
1822784, 350 mm
1822785, 400 mm

Seat widening 480 mm
1822383 (460 mm depth)
1822384 (510 mm depth)
1822385 (560 mm depth)



VS/VS Jr

VS Stander gives the user infinite positions to choose from including sitting to standing, or standing from partially or fully reclined positions. The Stander uses the ingenious Corpus seating system with the critical benefits of standing, and driving while standing. The modular design of the Corpus seat ensures optimal fit and, in addition to the increased access this system allows, the medical and psychological benefits of standing are enormous. VS Stander is also offered in a Jr. size.

Width:	430/480
Depth:	Jr360/Sr410-550
Back rest height:	550/620
Armrest height:	adjustable
Electrical functions:	Leg rest, Back rest, Seat tilt, Seat lift, Standing



Chest roll adjustable

Imitation leather
 306110-99-90-0 340 mm back
 306688-99-90-0 390 mm back
 307650-99-90-0 440 mm back



Parallel movement panel holder

1824295



Table adjustable angle

308064-40-0 (350 x 350 mm)
 308065-40-0 (400 x 350 mm)
 308066-40-0 (450 x 400 mm)



Small table, incl. bracket

307802-40-0 (250 x 250 mm)



Table, swiveling with central cutout

307747-40-0 (600 x 450 mm)
 307748-40-0 (650 x 500 mm)

With R-net Electronics
 1824753
 1824752



Belt with quick-release lock

305506-40-0



Hip belt padded

1824798 M 38mm x 1520mm
 1824799 L 50mm x 1650mm

Non padded
 1824796 M
 1824797 L



Table, angle adjustable

1824364 (500 x 332 mm)



Table, swiveling with side cutout

307749-40-0 (600 x 450 mm)
 307750-40-0 (650 x 500 mm)

With R-net Electronics
 1823063
 1823062



Crutch holder

1825068



Footstrap with padding

1822805

Footstrap

1822838



Side support

303666-00-90-0



Headrest adjustable

1823081

Lateral head rest adjustment

1823249



Headrest adjustable

1824256 Fabric

1824257 Imitation leather

Lateral head rest adjustment

1823249



Arm rest bag

302019-00-0



Bio-mechanical backrest

104115-99-0 (340x620 mm)

104116-99-0 (390x620 mm)

104117-99-0 (440x620 mm)



Calf support SR

1823142

Calf support JR

104137-99-0

Specific calf support for VS. For more supports go to UniTrack Accessory system.



Bag hook set

310299-40-0



Co-Pilot 1824132

Attendant control that is truly simple to manoeuvre. Just take hold of the handle and start to walk - the chair will move at the same pace as you, in whatever direction you choose. Walk faster and the co-pilot will automatically adjust to your speed.

Push handle set back

1825193

Inflatable lumbar support

600915-99-0

Mirror, incl. bracket

303729-99-0

Mug/Phone holder

1821842

VS

Seat- and back cushions

VS



BACK CUSHIONS VS

Mesh	Imitation leather	Width x height (seat)	Width x height (cushion)
307506-99-60-0	307506-99-90-0	340x550	370x530
307507-99-60-0	307507-99-90-0	390x550	420x530
307508-99-60-0	307508-99-90-0	440x550	470x530
306475-99-60-0	306475-99-90-0	340x620	370x600
306430-99-60-0	306430-99-90-0	390x620	420x600
306473-99-60-0	306473-99-90-0	440x620	470x600

SEAT CUSHIONS VS

Mesh	Imitation leather	Width x depth (seat)	Width x depth (cushion)
311156-99-60-0	311156-99-90-0	430x360-400 1,2 A	420x370
306735-99-60-0	306735-99-90-0	430x425 B	450x420
311397-99-60-0	311397-99-90-0	430x450 C	450x450
306431-99-60-0	306431-99-90-0	430x475-525 D, E, F	450x500
311398-99-60-0	311398-99-90-0	430x510	450x530
306471-99-60-0	306471-99-90-0	430x550 G	450x560
311399-99-60-0	311399-99-90-0	480x450 C	500x450
306470-99-60-0	306470-99-90-0	480x475-500 D, E	500x500
311401-99-60-0	311401-99-90-0	480x510	500x530
306472-99-60-0	306472-99-90-0	480x525-550 F, G	500x560

COMFORT CUSHIONS VS

Check	Mesh	Width x depth (seat)	Width x depth (cushion)
311494-99-80-0	311494-99-60-0	430x410	450x420
310096-99-80-0	310096-99-60-0	430x460	450x500
311393-99-80-0	311393-99-60-0	430x510	450x530
311152-99-80-0	311152-99-60-0	430x560	450x560
311153-99-80-0	311153-99-60-0	480x460	500x500
311394-99-80-0	311394-99-60-0	480x510	500x530
311154-99-80-0	311154-99-60-0	480x560	500x560

Conversion articles VS



Arm rest neutral, Fabric

1822782, 250 mm
1822783, 300 mm
1822784, 350 mm



Arm rest neutral, Imitation leather

1822786, 250 mm
1822787, 300 mm
1822788, 350 mm



Chest roll Imitation leather

306110-99-90-0 For 340 mm back
302956-99-90-0 For 390 mm back
306108-99-90-0 For 440 mm back



Shaft, arm rest bracket

306482-99-0 for 340 mm back
302859-99-0 for 390 mm back
304969-99-0 for 440 mm back



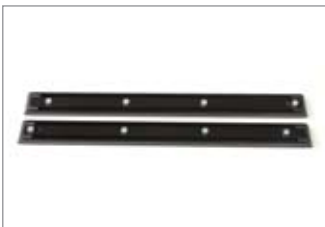
Back set 550 mm high

310291-00-0 340 mm wide
310251-00-0 390 mm wide
310252-00-0 440 mm wide



Back set 620 mm high

305480-00-UD-0 340 mm wide
306515-00-UD-0 390 mm wide
306490-00-UD-0 440 mm wide



Seat widening

1821779 (500 mm)for VS Jr
1821774 (550 mm)for VS Sr



Seat extension set

303006-28-UD-0



TS

The TS seat is an economic seat but still with our usual safety and functionality. The simple concept behind the TS seat is its beautifully elegant shape. The seat frame has an integral Uni-Track rail for adjusting seat depth and arm rest height. The rail also makes it easy to adjust the position of any supports.

Width:	380 - 530
Depth:	380 - 550
Back rest height:	450/600
Armrest height:	190 - 390
Electrical functions:	Leg rest, Back rest, Seat tilt, Seat lift



Parallel movement armrest kit (for powered recline)
1823988



Solid seat pan
1825046



Panel holder, VR2/R-net
1824295



Handle set back
1823999
Headrest
1824947



Crutch holder
1825070



Oxygen holder1825074



Trunk support F
1822678



Thigh support C
1822696



Calf support J
1822667



Belt, self-adjusting
305003-99-0



Belt with quick-release lock
305506-40-0



Belt, self-adjusting, long
310189-99-0



Hip belt padded
1824798 M 38mm x 1520mm
1824799 L 50mm x 1650mm
Non padded
1824796 M
1824797 L

Conversion articles TS



Backrest height extension kit
(150 mm)
1823997



Seat cushions
1823716, Small
1823717, Wide



Tension straps (seat)
1823718



Backrest cushions
1823714, Small
1823715, Wide



Tension straps (backrest)
1823725, Low back
1823723, High back



PS

A seat that is very reminiscent of manual wheelchair seats. You adjust the seat with simple tools. With a sliding, telescopic frame and expanding seat pan, you can change the size and height when you want. The level of adjustability is unmatched. The armrests both flip up and move out of the way and the footplate hangers can swing away or swing in.



Width: 400 - 450
 Depth: 410 - 535
 Back rest height: 360/605
 Armrest height: adjustable
 Electrical functions: Seat tilt, Seat lift



Belt with quick-release lock
305506-40-0



Belt, self-adjusting
305003-99-0 Standard
310189-99-0 Long



Crutch holder
1825069



Back box incl. bag hook set
1820415



Trunk support F 220x90 (Corpus back)
1822678



Headrest adjustable (Corpus back)
1824256 Fabric
1824257 Imitation leather



Headrest adjustable
308538-40-90-0



Co-Pilot 1824133,
Attendant control that is truly simple to manoeuvre. Just take hold of the handle and start to walk - the chair will move at the same pace as you, in whatever direction you choose. Walk faster and the co-pilot will automatically adjust to your speed.



Hip belt padded
1824798 M 38mm x 1520mm
1824799 L 50mm x 1650mm
Unpadded
1824796 M
1824797 L
1824916 Adapter



Table, angle adjustable
1824364 (500 x 332 mm)

Mug/Phone holder
1821842

Bag hook set
310299-40-0

Accessories attachment
103680-99-0

CS

CS

A seat for those who can cope without advanced functions. It has slightly lower back rest and manually adjustable back rest angle but the comfort required to allow you to sit comfortably for an extended period of time.

Width: 450
Depth: 430
Back rest height: 520
Armrest height: adjustable
Electrical functions: Seat lift



Belt with quick-release lock
305506-40-0



Belt, self-adjusting
305003-99-0 Standard
310189-99-0 Long



Headrest
1820436



Mug/Phone holder
1821842



Crutch holder
1825071



Oxygen holder
1825075



Footstrap with padding
1822805
Footstrap
1822838



Miniflex

A child seat for children up to 35 kg. It is easy to use so that the child immediately feels safe. For smaller children, it fits best on one of our child chassis. For larger children, on the other hand, it is an advantage to combine the seat with an adult chassis. This makes it easy to switch to an adult seat when the time comes.

Width:	250 -350
Depth:	250 - 350
Back rest height:	325 - 425
Armrest height:	adjustable
Electrical functions:	Seat tilt, Seat lift



Headrest
306314-40-30-0 Fabric
306314-40-90-0 Imitation leather



Side support
306310-40-30-0 Fabric
306310-40-90-0 Imitation leather



Thigh support
305693-28-30-0 Fabric
305693-28-90-0 Imitation leather



Mug/Phone holder
1821842



Footstrap with padding
1822805
Footstrap
1822838



Co-Pilot 1823184
Attendant control that is truly simple to maneuver. Just take hold of the handle and start to walk - the chair will move at the same pace as you, in whatever direction you choose. Walk faster and the co-pilot will automatically adjust to your speed.



Belt, self-adjusting
305003-99-0



Knee stop
307900-40-90-0



Four-point belt, incl. bracket
306438-40-0



Belt with quick-release lock
305506-40-0

Parallel movement panel holder
309959-99-1 Right
309960-99-2 Left

Conversion articles

Miniflex

Miniflex



Arm rests 200

308021-00-30-1 Right, Fabric
 308021-00-30-2 Left, Fabric
 308021-00-90-1 Right, Imitation leather
 308021-00-90-2 Left, Imitation leather



Arm rests 250

307400-00-30-1 Right, Fabric
 307400-00-30-2 Left, Fabric
 307400-00-90-1 Right, Imitation leather
 307400-00-90-2 Left, Imitation leather



Seat plate set

306343-28-30-0 (250x250) Fabric
 306343-28-90-0 Imitation leather
 306344-28-30-0 (300x300) Fabric
 306344-28-90-0 Imitation leather
 306345-28-30-0 (350x350) Fabric
 306345-28-90-0 Imitation leather



Seat cushion

306384-99-30-0 (250x250) Fabric
 306384-99-90-0 Imitation leather
 306385-99-30-0 (300x300) Fabric
 306385-99-90-0 Imitation leather
 306386-99-30-0 (350x350) Fabric
 306386-99-90-0 Imitation leather



Back set

306351-28-30-0 (250x350) Fabric
 306351-28-90-0 Imitation leather
 306352-28-30-0 (300x400) Fabric
 306352-28-90-0 Imitation leather
 306353-28-30-0 (350x500) Fabric
 306353-28-90-0 Imitation leather



Back cushion

306381-99-30-0 (250x350) Fabric
 306381-99-90-0 Imitation leather
 306382-99-30-0 (300x400) Fabric
 306382-99-90-0 Imitation leather
 306383-99-30-0 (350x500) Fabric
 306383-99-90-0 Imitation leather



Foot plate

307962-00-0 Small
 307963-00-0 Large

UniTrack accessory system

The system consists of a few simple basic parts that you combine and fix in a track on the chair. Then choose the cushion you want to have and you get support in exactly the right place with the right shape. This creates infinite possibilities for adaptation and adjustment.



Accessory tracks

The track, the basis of our new accessory system, has a strategic location on the seat and the rear of the cushion to provide fixing points. The track allows infinitely variable adjustment. All parts of the system have standard dimensions of 25 mm center-to-center and are fixed with standard 6 mm screws.



Adjustment elements

These parts make it possible to rotate the support cushions although the fixing point remains fixed. The parts are extremely strong and adjustable in such small steps that the result is almost infinitely variable. Combine and place the support in exactly the right place.



Quick release fitting










A half turn of the handle is enough.
For the trunk rest it is also possible to fit a swing away lock.



Support cushions

Cushions in several sizes and shapes with covers made of breathable material. The cushions are easy to attach to or remove from other system parts. The cushions are given only single letter designations to avoid a cushion being associated with a particular area of use.

The letter and size will be included in the designation of the support. Example: if you want to order a calf rest and use cushion A, the designation will be Calf rest A 150x140.

A	150x140		
B	110x90		
C	200x90		
D	200x200		
E	220x150		
F	220x90		
G	300x90		
H	170x175		
J	165x120		

THIGH REST/HIP REST



Adjustment of depth using tracks, adjustment of height using stop screws.



Adjustment of angle.



Adjustment of angle and width.

CALF REST



Thanks to the channels, the cushion can be rotated 360°.



Adjustment of angle and depth.



Adjustment of height and width.

AMPUTATION SUPPORT



Easy to remove using the quick release fitting.



Adjustment of angle and height.



Adjustment of depth, width and angle.



Can be fitted at a 30-degree angle and the cushion can be shaped.

TRUNK REST



Adjustment of height.



Adjustment of angle and width.



Adjustment of height using stop screws.



Adjustment of depth.

Support, UniTrack



Calf support B 110x90
1822665
Calf support A 150x140
1822669
Calf support J 165x120
1822667
Calf support H 170x175
1822671
Calf support D 200x200
1822674



Thigh support B 110x90
1822692
Thigh support J 165x120
1822695
Thigh support C 200x90
1822696
Thigh support G 300x90
1822698



Trunk support A 150x140
1822676
Trunk support F 220x90
1822678
Trunk support E 220x150
1822680



Hip rest B 110x90
1822683
Hip rest A 150x140
1822685
Hip rest C 200x90
1822687
Hip rest D 200x200
1822690



Amputation support A 150x140
1822657
Amputation support J 165x120
1822659
Amputation support H 170x175
1822661
Amputation support D 200x200
1822663

Spare parts UniTrack

Bracket Amputation support

1821686

Bracket Calf support

1821681

Bracket Trunk support Left

1821684

Bracket Trunk support Right

1821685

Bracket Trunk support

1821682

Bracket Thigh support

1821683

Cushion Modell A

1821689

Cushion Modell B

1821690

Cushion Modell C

1821695

Cushion Modell D

1821691

Cushion Modell E

1821692

Cushion Modell F

1821693

Cushion Modell G

1821696

Cushion Modell H

1821694

Cushion Modell J

1821245

Cover Modell A

1821697

Cover Modell B

1821698

Cover Modell C

1821699

Cover modell D

1821700

Cover Modell E

1821701

Cover Modell F

1821702

Cover Modell G

1821703

Cover Modell H

1821704

Cover Modell J

1821706

Track Corpus 430 mm width

1822380 (460 mm depth)

1822381 (510 mm depth)

1822382 (560 mm depth)

Track Corpus 480 mm width

1822383 (460 mm depth)

1822384 (510 mm depth)

1822385 (560 mm depth)

Track VS 430 mm width

1821772 for VS Jr

1821773 for VS Sr

Track VS 480 mm width

1821779 for VS Jr

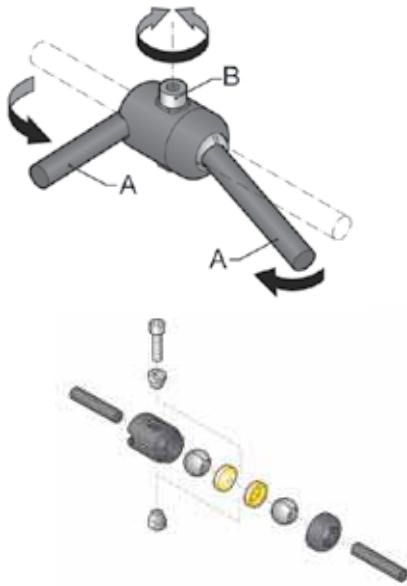
1821774 for VS Sr



Permofix

Is a modular linking system. Rods (A) can be connected to joints in freely chosen angles, just by fastening a screw (B). As easily as it locks, it releases. The rods can easily be inserted in or removed from the joints. Adjustments can be done at any time. The system offers a rigid fixation in all directions. Combining the basic parts, all kind of modules can be made. These modules create the possibility to connect a device in a simple, efficient and flexible way.

The modularity of PERMOfix provides endless combinations and solutions. Special parts make PERMOfix fit perfectly with our Alternative Drive components and other Permobil accessories. Predefined rod sections or off-the-shelf rod material can be used. PERMOfix is powerful, especially when it comes to 'fine-tuning'.



Permobil Starter Kit + Upgrade Kit

0027-7029a (inkl. 0027-7023a+0027-7028a)






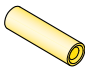



Starter Kit







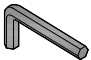

0027-7023A





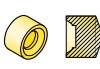
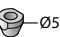

Permobil Upgrade Kit

0027-7028A

Starter Kit

-  **Base**
0027-2063a (10 st)
-  **Base end**
0027-2029a (5 st)
-  **Base extension**
0027-2006a (1 st)
-  **T-end**
0027-2040a (4 st)
-  **Clip ball support**
0027-2017a (16 st)
-  **Clip ball support, extension**
0027-2007a (1 st)
-  **Clip ball**
0027-2001a (20 st)
-  **Bolt M5x20**
7000-2055a (15 st)
-  **Rod Ø8x50**
0027-2010a (5 st)

-  **Rod Ø8x75**
0027-2011a (5 st)
-  **Rod Ø8x100**
0027-2012a (5 st)
-  **Rod Ø8x150**
0027-2013a (5 st)
-  **Rod Ø8x200**
0027-2014a (5 st)
-  **Rod Ø8x250**
0027-2015a (5 st)
-  **Rod Ø8x300**
0027-2016a (5 st)
-  **Gooseneck 150mm**
0027-7017a (1 st)
-  **Hex key 4mm**
7000-2057a (1 st)
-  **Base end**
0027-2002a (10 st)

-  **Wall plate**
0027-2009a (6 st)
-  **Orientator**
0027-2041a (4 st)
-  **Splitter**
0027-2004a (4 st)
-  **Clip ball support, double**
0027-2052a (4 st)
-  **Clip ball support, extended**
0027-2039a (10 st)
-  **Key**
0027-2035a (15 st)
-  **Key, with thread**
0027-2030a (15 st)
-  **Manual**
0027-8030a (1 st)

Permofix

Upgrade Kit Permobil



Display adapter
0027-2008a



Permobil adapter
0027-2005a, 80 mm
0027-2083a, 250 mm



Base, 14 mm
0027-2058a



Support, 14 mm
0027-2059a



**Adjustment/link,
UniTrack**
0027-2055a

Modules



Switch, Compact Joystick
0035-7011a



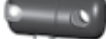
Switch double, Compact Joystick
0035-7014a



Permofix base connection
0027-7005a



Permofix base, side exit, 8 mm
0027-7004a



Permofix base, side exit, 14 mm
0027-7027a



Permofix base, combi end
0027-7025a



Permofix base wall
0027-7006a
**Permofix base wall, side exit,
8 mm**
0027-7024a



Permofix Compact Joystick
8 mm
0035-7009a
Permofix Compact Joystick chin control
0035-7010a

Permofix-kit for wheelchair

(Note! Contains only Permofix Parts)



**Armrest mounted
Compact Joystick**
1824777



**Armrest mounted
Compact Joystick with
Multicontroller**
1824780



**Armrest mounted
Multicontroller**
1824776



**Center mounted
Mini Joystick**
1824775



**Armrest mounted
Mini Joystick**
1824779



**Armrest mounted
Mini Joystick med
Multikontroller**
1824781



**Center mounted
Compact Joystick**
1824778



Control system P+/R-net/VR2

Our most advanced steering system, R-net, in combination with ICS (Intelligent Control System for adjustment of powered seat functions) lifts driving, comfort and safety levels to new heights. R-net is designed from the beginning to be able to steer and control a wide number of functions. With optional extras, the system offers almost endless possibilities for the user: Alternative steering devices, Bluetooth Mouse Control, Attendant control and more...



Remote Stop Rnet/Pilot+
1824850, VR2/Safegate/P+/R-net



Alternative Switchbox, for extra switches R-net
1823591



Chin Control Compact joystick (Rnet only)
1822778

Switch set
0035-7011a

Holder
0035-7009a



Attendant Control R-net
Bracket backrest
1825042

Extrapanel VR2
excl Bracket backrest
1823849
Panel Bracket
1823601



Push button switch box R-net
1823293, buttons
1823294, toggle switch



Pc Mouse Control R-net
Control your computer from your wheelchair
1824693



Attendant Control, Pilot+
603058-00-0

Panel holder extra
1822130



Extra switch 3-4 Power functions VR2
1824153



Articulated panel holder Central control, Pilot+
301973-99-0



Table with flip over joystick R-net
Corpus back
1823061, 390 mm
1823060, 440 mm
VS back, mounts in Chest roll bracket
1823057, 390 mm
1823054, 440 mm



Compact Joystick
with tilt sensor
1822778
Compact Joystick light
Smaller and lighter movements
required
1822985



Compact Joystick Advanced
1822772



Joystick grip, ball
602152-00-0, 38 mm
307189-00-0, 30 mm



Joystick grip, ball
1825195, 47 mm



Joystick grip, ball PG8/P+
602155-99-0, 70 mm



Joystick grip, pin
602156-00-0



Joystick grip, T
602151-00-0



Joystick grip, mushroom
602153-00-0



Joystick grip, funnel
602154-00-0



DriveLink MultiController

- Choice of control system
- Seat functions (max. 9)
- Customized display
- Right and left mouse click
- Functions independently
- Recordable message system
- Two active control systems
- 18 possible outputs
- IR mouse and IR games
- Environment control
- Voice-controlled feedback
- Telephony



The MultiController is the interface that allows you to control your environment from your wheelchair. Problems are there to be solved. This is the idea behind our alternative control system, DriveLink. The system connects a number of functions directly to the basic unit, which makes it possible for you to use various solutions to control your wheelchair.

The Multi Controller has a number of built in functions as standard, for example control of home entertainment appliances (TV, Video, DVD) via your chosen input device. Accessories for the Multi Controller include, among other, things a mobile phone module, but it also acts as an interface to other after-market environmental controls, allowing you to activate computers, IR door openers and other functions, from your wheelchair.

Basic package

Pilot+
104615-99-0
R-net
103822-99-0

Includes

Electronics
612899-99-0, Pilot +
1822779, R-net
Display
612900-00-0
Cable
309699-00-0
Holder
1821583
Bag
1821541



Joystick control
1824636

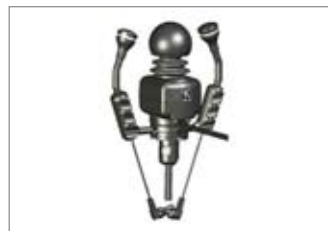
Joystick
Holder display



Mini-joystick
602963-99-0



Finger control
103826-99-0



**Chin Control
Kompakt Joystick**
1822993

Switch set
0035-7011a

Holder
0035-7010a



Sip and puff
1824637

Sip and puff unit
Stand, chin control/SoB V.2



Head control
1824638

3-5 Switch head control
Head support
Bracket head support



Multi button control
309675-00-0

Contact box



Tablet Control
1821749



DL Compact Joystick
1822993

DL Compact Joystick
with tilt sensor
1825315

Compact Joystick light
Smaller and lighter movements
required
1822986



**DL Compact Joystick,
advanced**
1823003

DriveLink Accessories



Holder, Sip and puff/Chin control el.
309703-00-0



Programming kit
1824646



DL+ Gyro unit
309701-00-0



DL Easy Mobile
1823553



DL+ Function switch touch
309702-00-0



DL Function switch
309694-00-0



Holder Chin control
104143-99-0



External on/off
309624-00-0

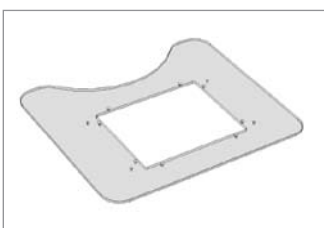


Table for Tablet Control
1821941



Armrest mounted Mini Joystick
1824779

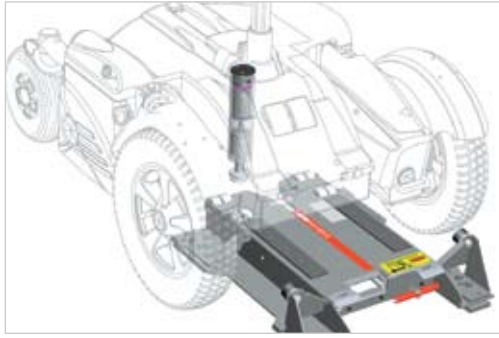


DL IR-receiver
603234-99-0

Permobil in car

Transport your wheelchair safely using Permobil's locking system.

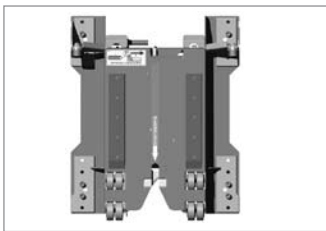




Permolock C

Simple installation • Fits C400 and C500 • Very safe and easy to use • Electric and manual emergency release • If you have one of our earlier locks, the Permolock C fits the same holes • Verify with your local Permobil office if the wheelchair – seat combination is approved for transportation with the user seated in it.

Safety and freedom are two of our key words when we develop our wheelchair solutions. An electric wheelchair increases your mobility in itself, but for real freedom it must also be safe and easy to transport the chair in a vehicle. All our chairs have mounting eyes so that you can secure them with straps during transport. For our combination chairs, C400 and C500, there is now also a very safe docking lock for vehicles, the Permolock C. The Permolock C has been subjected to extensive safety tests, including crash tests at Volvo's test facility. With the Permolock C you can sit in your wheelchair as safely as in the vehicle's normal seats. The lock can be installed in the driver's seat or on the passenger side and can be switched between them as required.



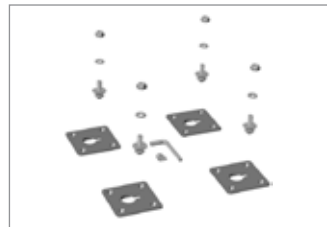
Permolock C
with switch std.
313072-28-0



Chair base
1824545



Plunge
313344-99-0



Quick anchoring set
1820549



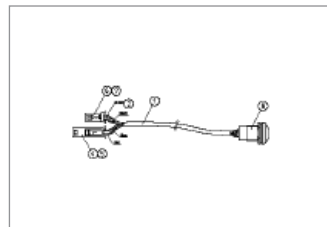
Installation spacer
1820547



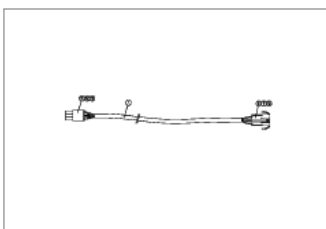
Quick release fitting release handle
1820548



Release handle
314036-99-0



Default breakers
1820525



Extension cable
1823604



Extension cable large
1824735

Permolock C3

Easy to install • Fits C300/C350/K300/K450 • Adjustable in height and angle • Allows the user to drive reverse into the lock • The lock can be mounted in the driver's position or the passenger positions in cars suitable for transport of powered wheelchairs • Verify with your local Permobil office if the wheelchair – seat combination is approved for transportation with the user seated in it.



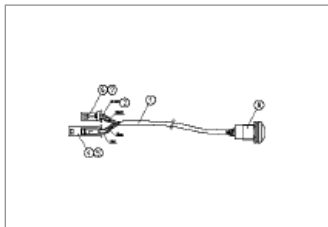
The Permolock C3 is the latest addition to the Permolock family, designed specifically for the C300, C350, K300 and K450 models. Thanks to its compact format, the Permolock C3 is easy to mount inside a car. The C3 is adjustable in height and angle which makes mounting easy, even on sloping car floors. Its smart design makes it service-friendly, requiring only the removal of the top cover to access vital parts. A new function for the C3 is that it allows the user to drive into or, reverse into, the lock, depending on where it is mounted in the car. The lock can be mounted in the driver's position or the passenger positions (front or rear) in cars suitable for transport of powered wheelchairs.



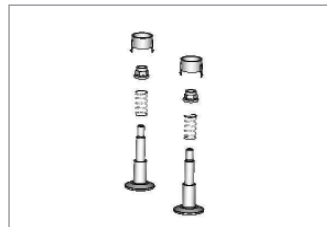
Permolock C3
1823300 with switch std.
1824756 with switch large



Release handle
314036-99-0
Quick release fitting release handle
1820548



Switch std.
1820525



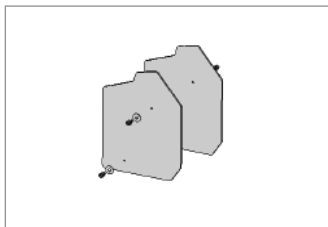
Locking pins
1824229



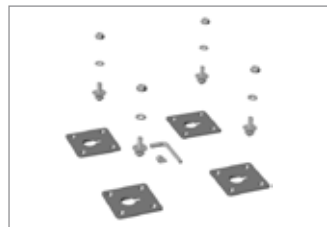
Switch large
1824735



Chair base
1824545
Extender chair base
1821551



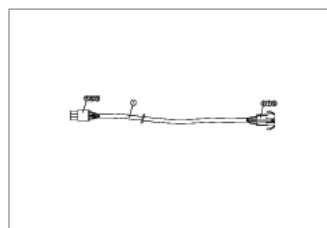
C350 Reinforcement
1824736



Quick anchoring set
1820549



Installation spacer
1824737



Extension cable
1823604



The Power of Mobility



www.permobil.com